

GaN系列紫外探测器 LD-G355-400T

UVA Sensor: LD-G355-400T

Features	Gallium nitride based material
	Broad band UVA+UVB+UVC photodiode
	Photovoltaic mode operation
	TO 39 package
	Good visible blindness
	High responsivity and low dark current

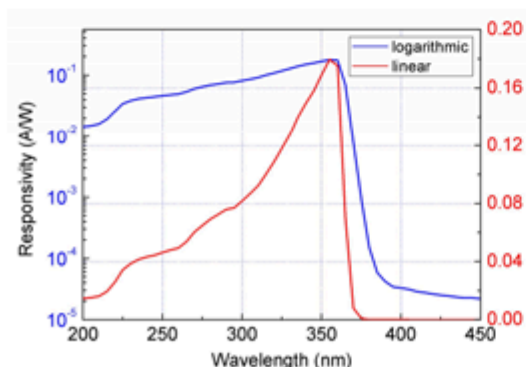


Applications	UV index monitoring
	UV radiation dose measurement
	Flame detection

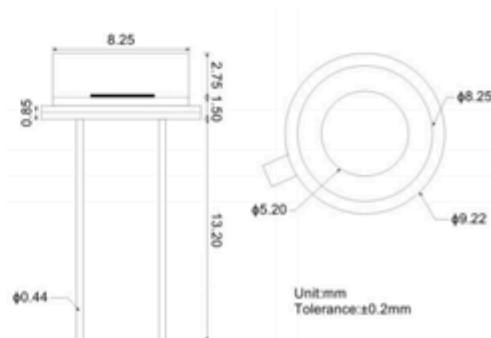
Specifications

Parameter	Symbol	Value	Unit
Spectral characteristics (25 °C)			
Wavelength of peak responsivity	λ_{\max}	355	nm
Peak responsivity (at 355 nm)	R_{\max}	0.18	A/W
Spectral response range	-	180~370	nm
UV/visible rejection ratio ($R_{\max}/R_{400\text{ nm}}$)	VB	$>10^4$	-
General characteristics (25 °C)			
Chip size	A	4	mm ²
Dark current (1 V reverse bias)	I_d	<1	nA
Capacitance (at 0 V and 1 MHz)	C	72	pF
Temperature coefficient	T_c	-0.1	%/°C
Maximum ratings			
Operation temperature range	T_{opt}	-28~85	°C
Storage temperature range	T_{stor}	-40~85	°C
Soldering temperature (3 s)	T_{sold}	260	°C
Reverse voltage	$V_{R\max}$	10	V

Spectral response



Package dimensions



***Caution:** ESD can damage the device hence please avoid ESD.