

AlGaN日盲系列紫外探测器 LD-A275-100T

UVC Sensor: LD-A275-100T

Features	AlGaIn based material
	UVC photodiode
	TO46 package
	Good solar blindness
	High responsivity and low dark current

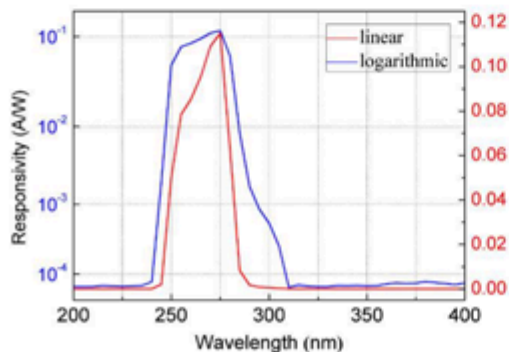


Applications	Ozone monitoring
	UV radiation dose measurement
	Flame detection

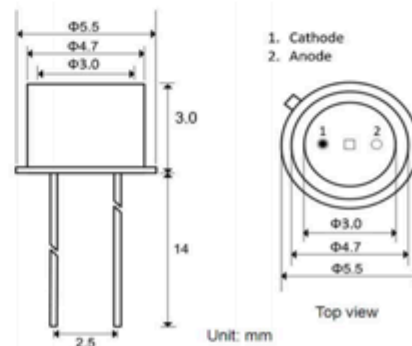
Specifications

Parameter	Symbol	Value	Unit
Spectral characteristics (25 °C)			
Wavelength of peak responsivity	λ_{\max}	275	nm
Peak responsivity (at 275 nm)	R_{\max}	0.113	A/W
Spectral response range	-	250~280	nm
UV/visible rejection ratio ($R_{\max}/R_{400\text{ nm}}$)	VB	$>10^3$	-
General characteristics (25 °C)			
Chip size	A	1	mm ²
Dark current (1 V reverse bias)	I_d	<10	pA
Capacitance (at 0 V and 1 MHz)	C	8.6	pF
Temperature coefficient	T_c	-0.1	%/°C
Maximum ratings			
Operation temperature range	T_{opt}	-40~85	°C
Storage temperature range	T_{stor}	-40~85	°C
Soldering temperature (3 s)	T_{sold}	260	°C
Reverse voltage	$V_{R\max}$	10	V

Spectral response



Package dimensions



*Caution: ESD can damage the device hence please avoid ESD.